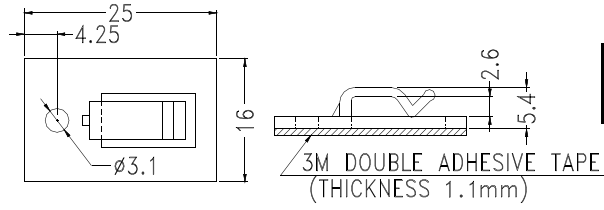
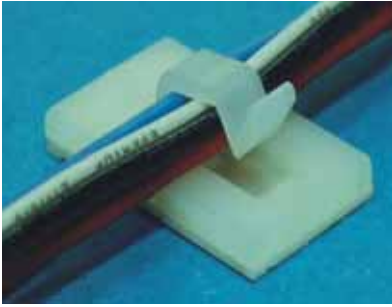


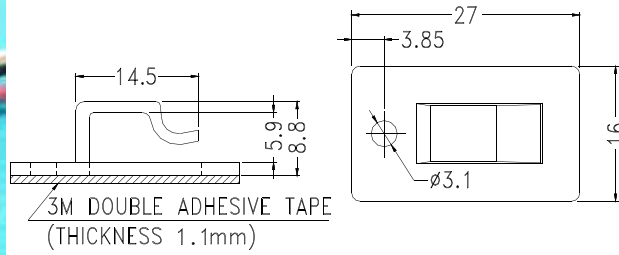
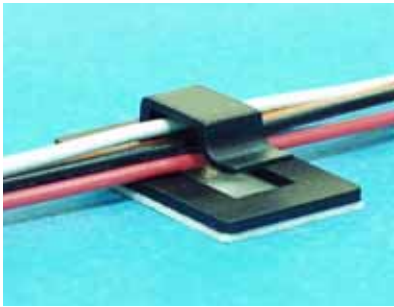
WIRE Holder / Mount

Hankook Fastener

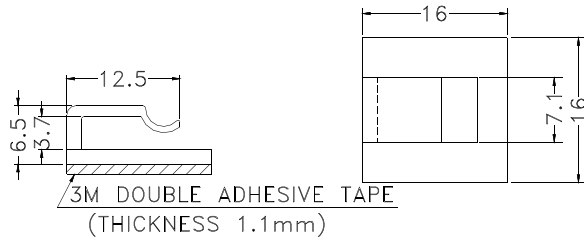
- ◆ MATERIAL: NYLON 66(UL)
- ◆ FLAME CLASS :94V-2
- ◆ COLOR: NATURAL/BLACK
- ◆ UNIT: mm



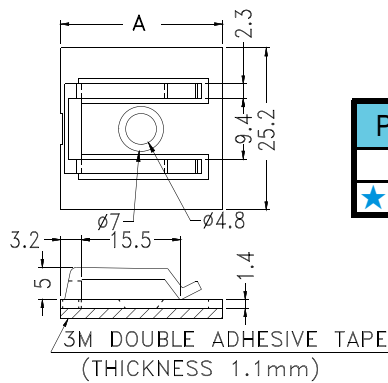
PART NO	PACKAGE
WCS-1	500



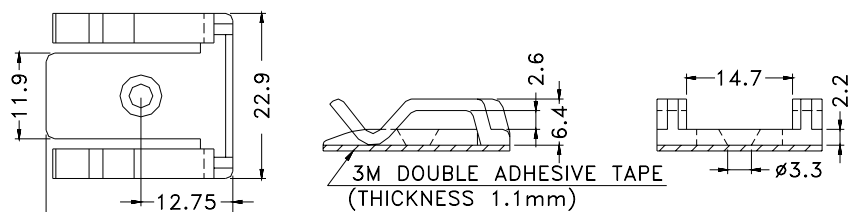
PART NO	PACKAGE
WCS-2	500



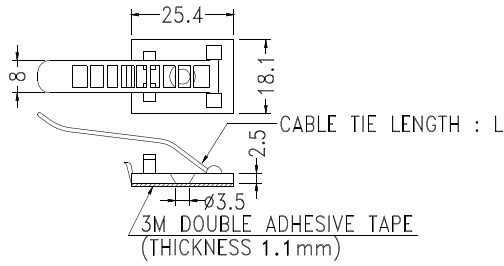
PART NO	PACKAGE
WCS-3	500



PART NO	A	DOUBLE ADHESIVE TAPE THICKNESS:1.1mm	PACKAGE
FCP-22	25.2	有 (YES)	500
★FCP-22SN	24.2	無 (NO)	500

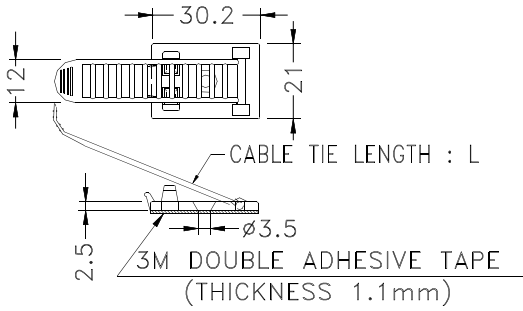


PART NO	PACKAGE
FCP-25	500

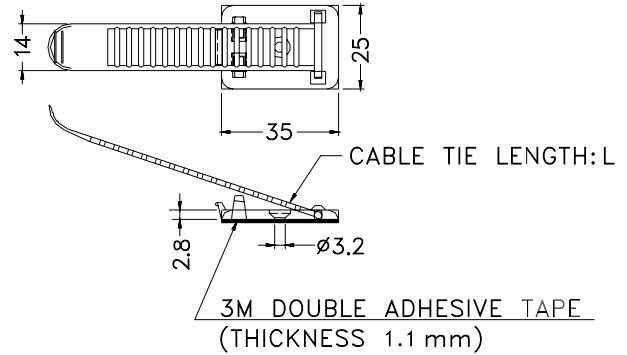


- ◆ MATERIAL: NYLON 66(UL)
- ◆ FLAME CLASS :94V-2
- ◆ COLOR:NATURAL
- ◆ UNIT:mm

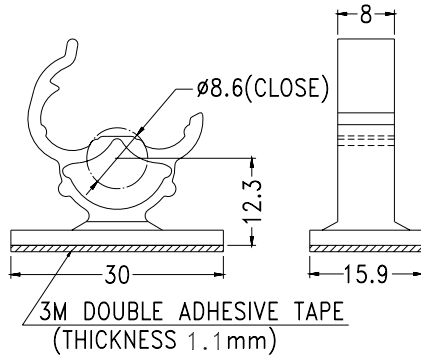
PART NO	L	PACKAGE
CL-1	64.2	200
CL-2	85.0	



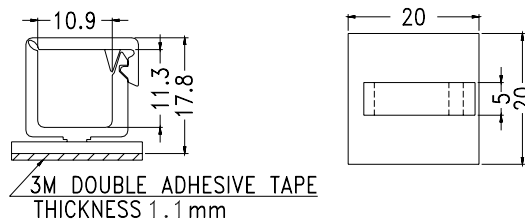
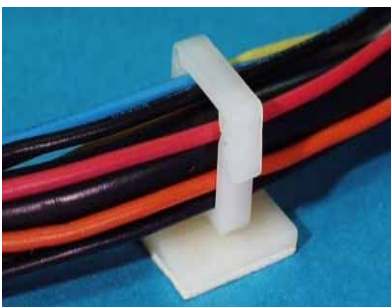
PART NO	L	PACKAGE
CL-5	91.0	1000



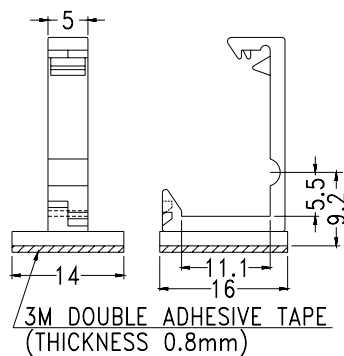
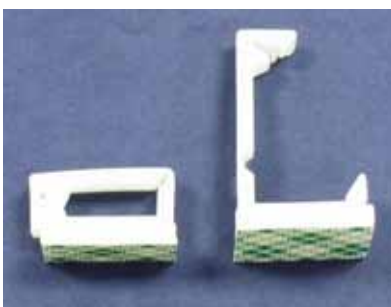
PART NO	L	PACKAGE
CL-3	88.3	200
CL-4	127	100



PART NO	PACKAGE
WSK-1	1000

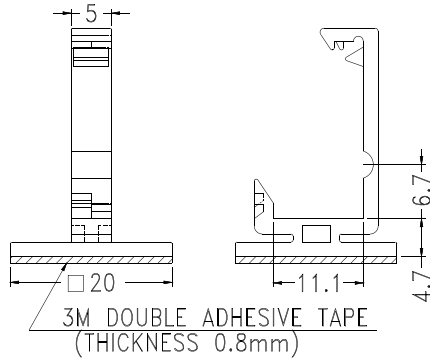


PART NO	PACKAGE
WLM-1	500

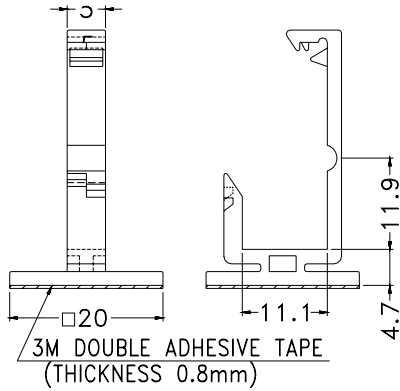
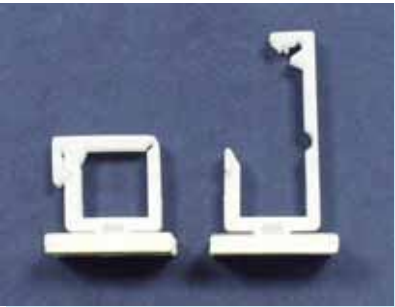


PART NO	PACKAGE
WLN-1S	500

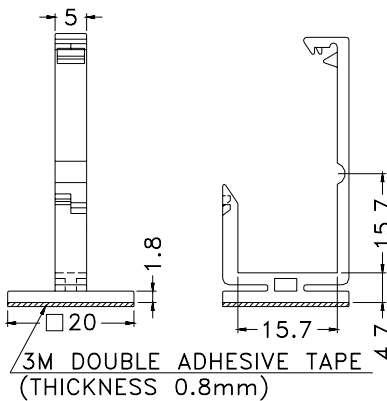
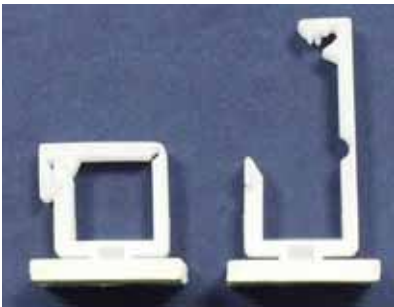
- ◆ MATERIAL: NYLON 66(UL)
- ◆ FLAME CLASS :94V-2
- ◆ COLOR:NATURAL
- ◆ UNIT:mm



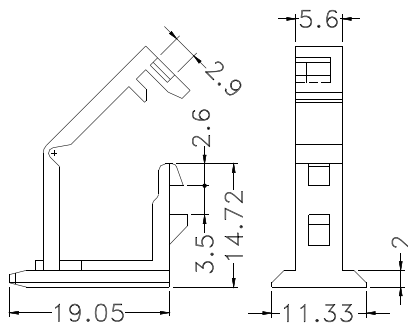
PART NO	PACKAGE
WLN-1	500



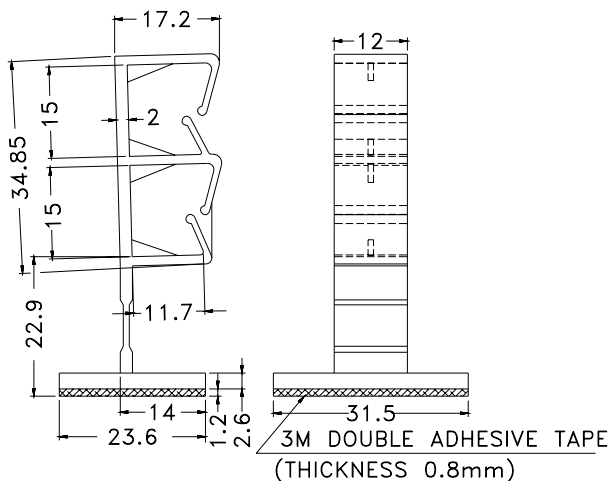
PART NO	PACKAGE
WLN-2	500



PART NO	PACKAGE
WLN-3	500

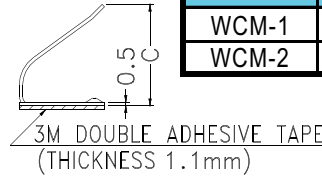
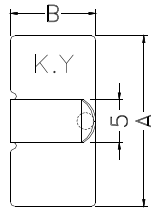


PART NO	PACKAGE
WLF-1	500

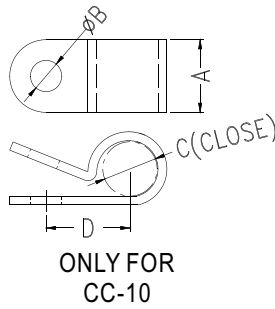


PART NO	PACKAGE
W2LK-1	50

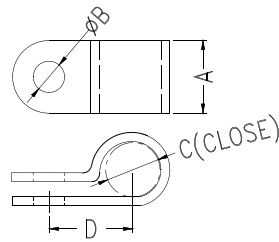
◆ MATERIAL: STEEL
◆ UNIT: mm



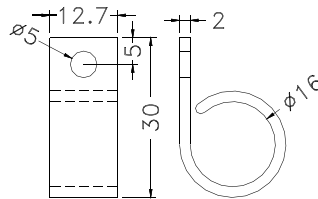
PART NO	A	B	C	PACKAGE
WCM-1	20.0	10.0	11.6	1000
WCM-2	25.0	15.0	17.1	500



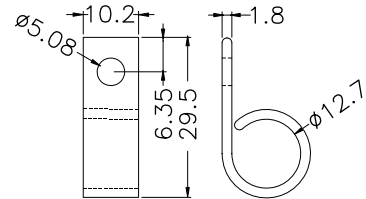
◆ MATERIAL: NYLON 66(UL)
◆ FLAME CLASS :94V-2
◆ COLOR: NATURAL/BLACK
◆ UNIT: mm



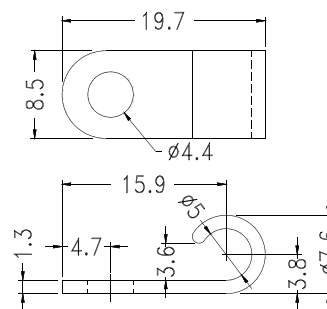
PART NO	A	B	C		D	PACKAGE
			mm	inch		
CC-1SS	6.5	3.8	3.0	1/8	6.8	1000
CC-1S	9.2	5.4			8.2	
CC-1	13.2				8.9	
CC-2	9.7	4.8	4.5	3/16	10.2	
CC-3	9.5		6.2	1/4	10.2	
CC-4			7.6	5/16	10.5	
CC-5	12.3	5.4	9.0	3/8	12.4	500
CC-5L					13.2	
CC-6	12.7	4.8	11.5	1/2	14.7	
CC-7	12.9	5.4	12.8	9/16	16.0	200
CC-7S		4.8	15.5	5/8	16.7	
CC-8		5.4	17.0	2/3	20.2	100
CC-9	20.0	7/8	21.2			
CC-10	24~27	1-1/8	23.5	1000		
CC-12	9.9	4.4	3.0		1/8	8.5
CC-13	9.5	3.2	8.3		5/16	12.0
CC-14	6.3	3.7	3.5	1/7	6.4	1000
★CC-15	9.6	4.4	5.6	1/4	12.1	
★CC-16	11.6	6.4				



PART NO	PACKAGE
CD-16	500



PART NO	PACKAGE
CD-12.7	500

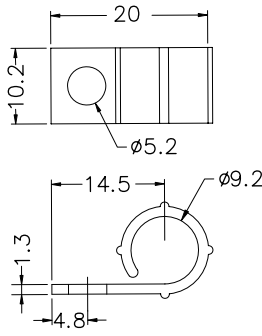
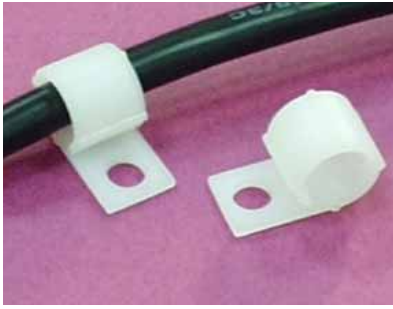


PART NO	PACKAGE
CD-5	500

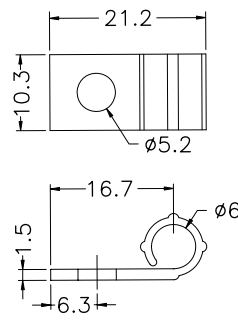
WIRE Holder / Mount

Hankook Fastener

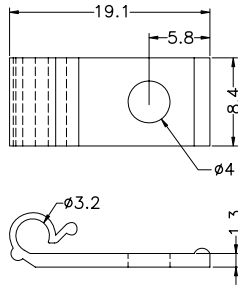
- ◆ MATERIAL: NYLON 66(UL)
- ◆ FLAME CLASS :94V-2
- ◆ COLOR:NATURAL
- ◆ UNIT:mm



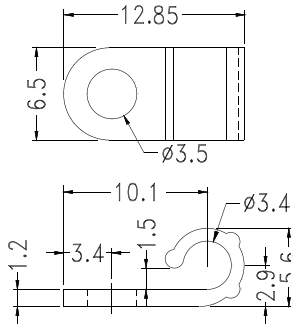
PART NO	PACKAGE
CD-9.2	500



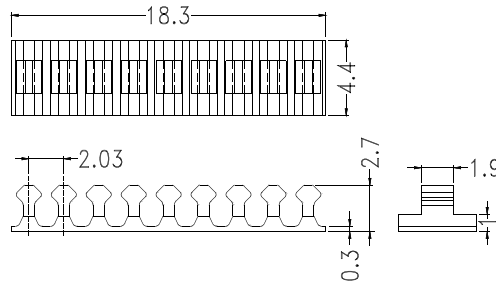
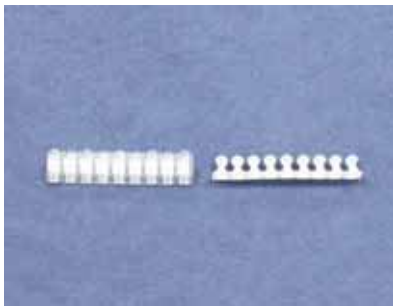
PART NO	PACKAGE
CD-6	500



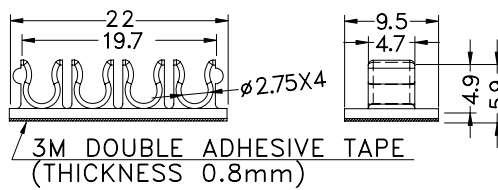
PART NO	PACKAGE
CDV-3.2	1000



PART NO	PACKAGE
CD-3.4	500



PART NO	PACKAGE
MU-01-8NT	500



PART NO	PACKAGE
MUA-1	500